

## GENERAL DESCRIPTION

The ENV-IAM is a user's Interface module designed to provide fume hood operating and alarm status, emergency override, alarm indication and acknowledgment functions. Each ENV-IAM features a microprocessor, communications ports, membrane push-button keys, digital liquid crystal display (LCD), light emitting diodes (LED) and a piezo electric transducer.



### Programmable

The Intelligent Alarm Module can be programmed to display fume hood velocity, fume hood sash area, fume hood exhaust air flow, day/night setpoints, temporary setpoints, hi/lo alarm deviation, exhaust fan status (if individual exhaust fans are used) and time. The ENV-IAM features a hidden password push-button and a programmable "monitor only" mode to restrict tampering. Engineering units can be programmed in domestic or international formats.

## SPECIFICATIONS

**MODEL NO.:** ENV-IAM (Part #006025)

### STATUS INDICATION:

**Visual:** Normal - Green LED, NORMAL Icon  
Caution - Yellow LED, CAUTION Icon  
Alarm - Red LED, Alarm Icons

**Audible:** Horn - Piezo electric transducer  
Alarm condition - pulsating tone  
Override condition - continuous tone

**CONNECTION:** 6-conductor, flat-line cord,  
RJ-11 phone jack termination

**POWER:** From the connected controller

**AGENCY LISTINGS:** UL-916 (Energy Management Equipment),  
Complies with FCC Class "A" requirements. Certification by Canadian Standards Association (CSA).

**COLOR:** Shadow white plastic case

**MOUNTING:** Directly to wall surface with mounting plate or 2" x 3" cut-out (single gang junction box - by others)

**DIMENSIONS:** 4-13/16" H x 3-1/4" W x 1-31/64" D



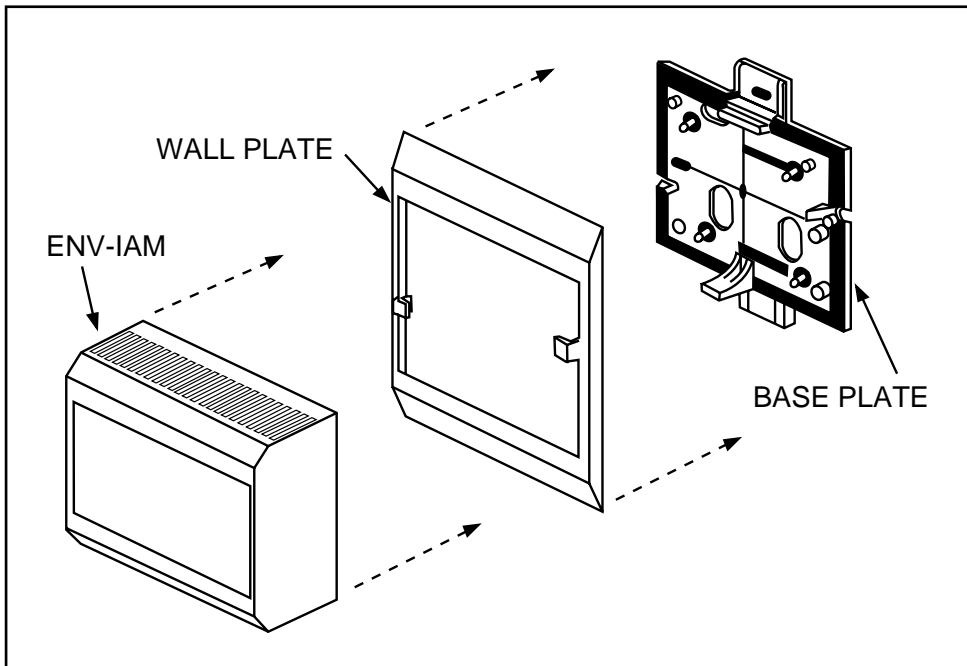
Laboratory Control Systems Inc.  
2259 Scranton-Carbondale Hwy  
Scranton, PA 18508

Tel: 570-487-2490  
Fax: 570-487-2494  
www.labcontrols.com

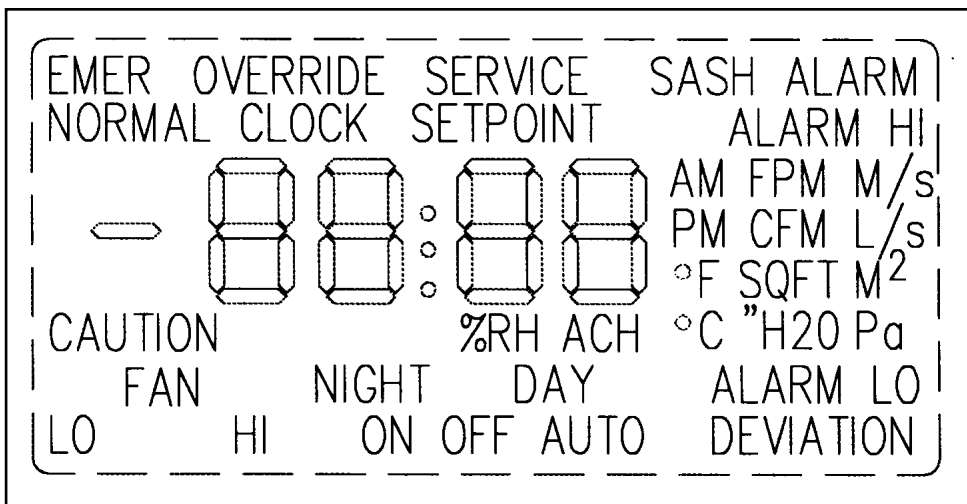
Model ENV-IAM

ENVIROTRAK INTELLIGENT  
ALARM MODULE

## ENV-IAM MOUNTING DETAIL



## DISPLAY ICONS



Laboratory Control Systems Inc.  
2259 Scranton-Carbondale Hwy  
Scranton, PA 18508

Tel: 570-487-2490  
Fax: 570-487-2494  
[www.labcontrols.com](http://www.labcontrols.com)

Model ENV-IAM

# ENVIOTRAK INTELLIGENT ALARM MODULE