



INSTALLATION- MECHANICAL

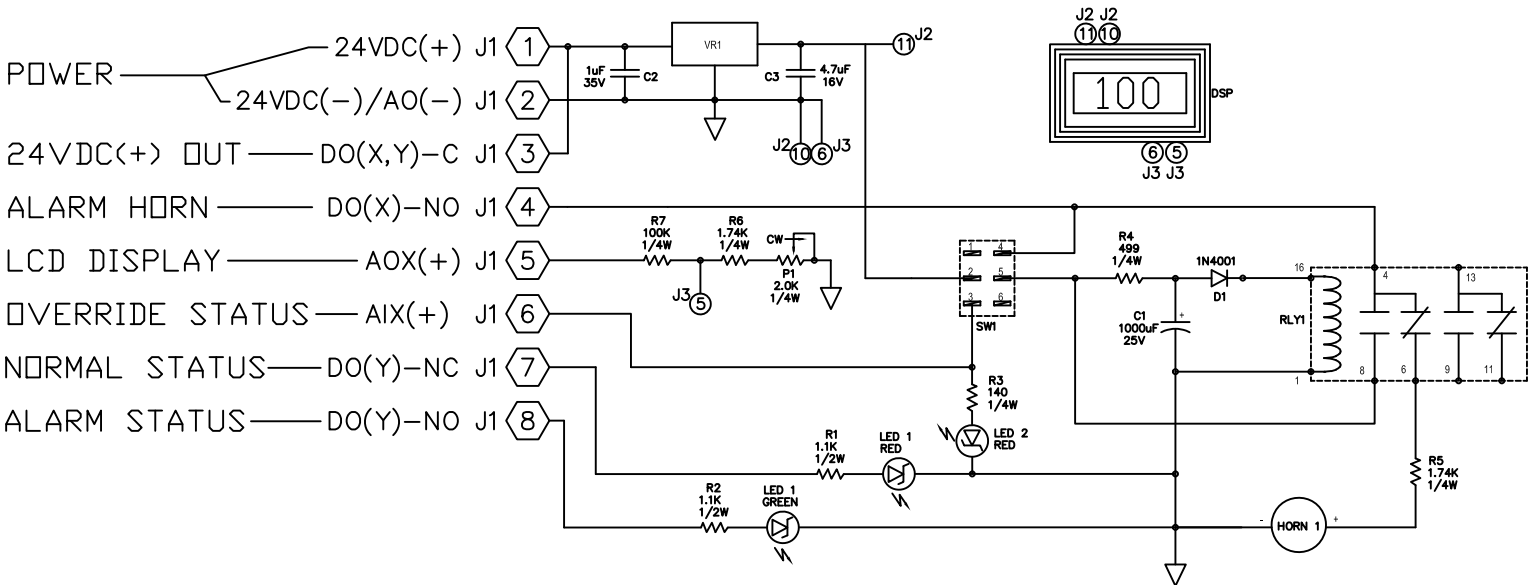
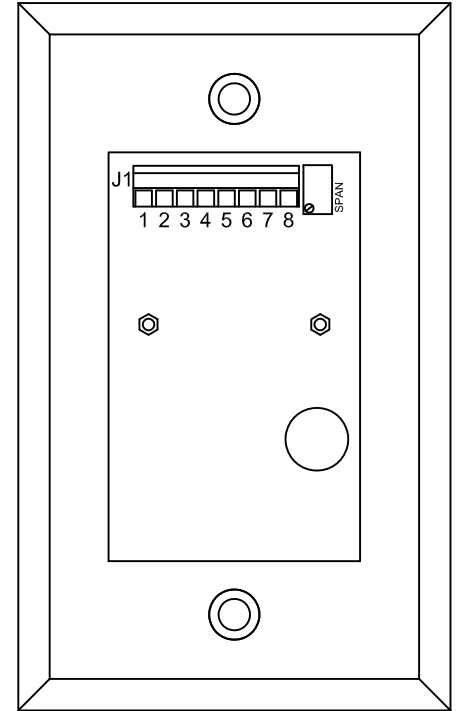
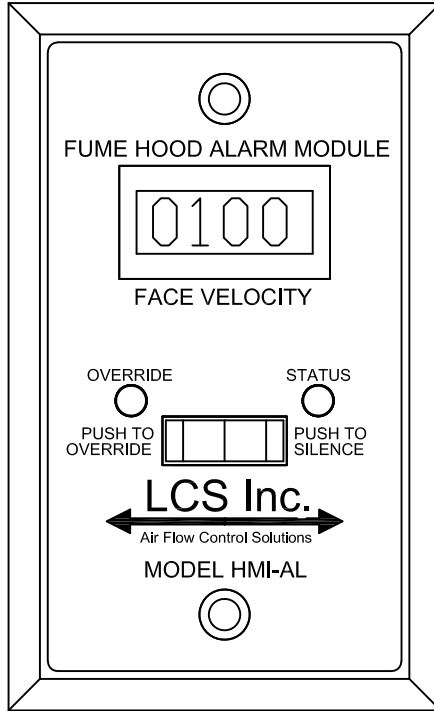
The Hood Mounted Interface Alarm mounts in any single gang junction box cutout (2"x3"). Minimum depth requirement is 1.5"

INSTALLATION- ELECTRICAL

Excitation: 24VDC @ 65mA max.
Connections: 8 conductor w/ shield 22GA.
Operating temperature: 0 - 60DEGC

MISCELLANEOUS- ELECTRICAL

DO's - Dry contact rating 24VAC/24VDC @ 0.25Amp minimum.
AO - Voltage, range 0-10VDC
Display @ 0VDC = 000
Display @ 10VDC = 200
(At 10VDC, adjust span pot if required)
AI - Voltage, range 0,5VDC
Override = 5.0VDC
No Override = 0.0VDC



TITLE SPECIFICATIONS SHEET: HOOD MOUNTED ALARM MODULE

PREPARED MHQ

DWG NO. HMI-AL-B

CHECKED MHQ

DATE 11/14/2017
Rev. B 8/7/17 Design changed to CB-0047 Rev B

APPROVED



Laboratory Control Systems, Inc.
91 Quinton Road
Scott Township, PA 18447
Ph. 570.487.2490 Fax. 570.487.2494