

# 50" SASH POSITION SENSOR SPS-50-24V

GENERAL DESCRIPTION

THE SASH POSITION TRANSDUCER IS USED IN VERTICAL SASH TYPE FUME HOOD APPLICATIONS TO MEASURE VERTICAL SASH DISPLACEMENT BY MEANS OF A MULTI-TURN SENSOR LINKED MECHANICALLY TO THE RISING SASH FRAME/WINDOW VIA A PLASTIC COATED STAINLESS STEEL CABLE WITH A 50" DISPLACEMENT.

THE TRANSDUCER ASSEMBLY IS MOUNTED EITHER DIRECTLY ABOVE THE SASH CABLE (OR SASH ITSELF) AT THE FRONT OF THE FUME HOOD WHERE IT CONNECTS TO EITHER THE SASH OR THE SASH CABLE. IT MAY ALSO BE MOUNTED AT THE REAR OF THE HOOD, WHERE THE CABLE ATTACHES TO THE COUNTERWEIGHT. IN EITHER CASE, THE CABLE MUST TRAVEL UNINTERRUPTED THE SAME DISTANCE AS THE SASH TRAVEL.

SPECIFICATIONS - GENERAL

DIMENSIONS: 4.50"L x 3.55"W x 1.88"D  
WEIGHT: 7.0 OUNCES

SPECIFICATIONS - ELECTRICAL

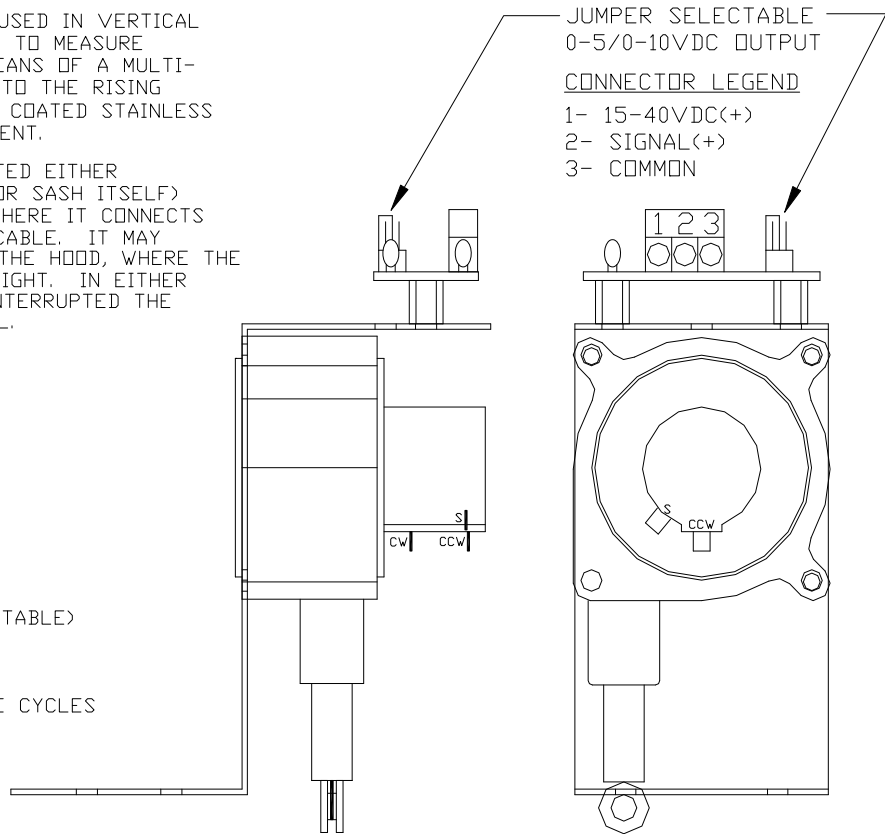
EXCITATION: 15-40VDC @ 200mW MAX.  
ACCURACY: +/- .25% FULL SCALE  
OPERATING TEMP.: 0 TO 160DEGF  
INPUT CURRENT: 5mADC MAX.  
OUTPUT: 0-5/0-10VDC (JUMPER SELECTABLE)

SPECIFICATIONS - MECHANICAL

- LIFE CYCLES: 250,000 FULL STROKE CYCLES @47" OF TRAVEL.
- TYPICAL FUME HOOD OPERATION 250,000 - 500,000 CYCLES

ORDERING INFORMATION

MODEL: SPS-50-24V, PART #076630-04



**ANGULARITY**

THE STAINLESS STEEL CABLE SHOULD BE ALIGNED WITHIN 5 DEGREES OF PERPENDICULAR WHEN CABLE IS AT FULL EXTENSION.

**CABLE/EYELET ATTACHMENT**

ATTACHING THE EYE FITTING AS SHOWN BELOW MAY CAUSE UNDUE STRESS ON THE STAINLESS STEEL CABLE. TO PREVENT PREMATURE WIRE ROPE FAILURE, AVOID THESE MOUNTING CONDITIONS.

**ZERO EXTENSION**

TO INSURE THAT THE STAINLESS STEEL CABLE STARTING POINT IS LESS THAN 0.25" FROM IT'S FULLY RETRACTED STATE.



Laboratory Control Systems Incorporated  
91 Quinton Road  
Scott Township, PA 18447  
Tel: 570.487.2490 Fax: 570.487.2494  
www.labcontrols.com

Title: <b>50" SASH POSITION SENSOR</b>	
Model Number: <b>SPS-50-24V</b>	
Drawing Number: <b>SPS-50-24V-DS</b>	Date: <b>2/9/18</b> Rev. <b>A</b>