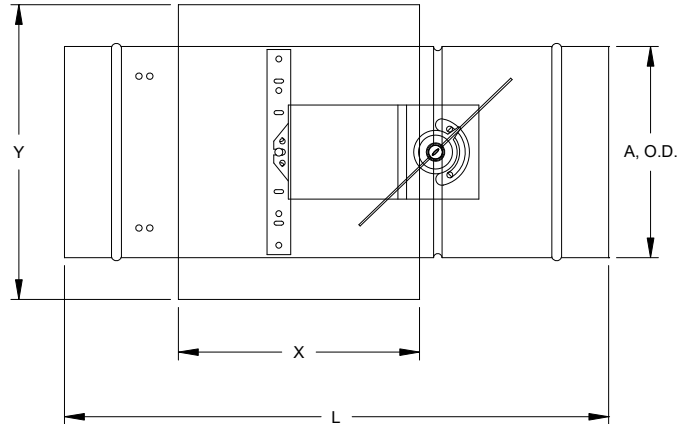
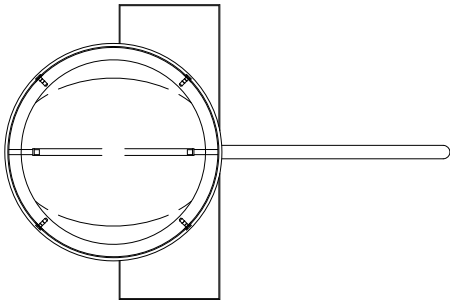


# AFT AIR FLOW VALVES WITH NON-OBSTRUCTIVE SENSOR AFT-N-OP

- NEOPRENE GASKET IN DAMPER PLATE
- NYLON BUSHING FOR DAMPER SHAFT
- CASING 20 GAGE STEEL (SEE BELOW FOR AVAILABLE MATERIALS)
- SOLID DAMPER SHAFT



All dimensions are in inches.

SIZE	CFM @ 1" H2O SIGNAL	A, Ø	X	Y	L
5	276	4-7/8	9	10-7/8	20-5/16
6	391	5-7/8	9	10-7/8	20-5/16
8	772	7-7/8	9	10-7/8	20-5/16
10	1020	9-7/8	9	12-1/8	20-5/16
12	1614	10-7/8	10	12-1/16	23-57/64
14	2001	13-7/8	10	14-1/16	23-57/64
16	2929	15-7/8	10	16-1/16	23-57/64

### PRODUCT FEATURES AND OPTIONS:

1. Material:
  20 Gauge (STD)       18 Gauge  
 Galvanized                       316 SS  
 304 SS
2. Airflow Measuring Station:
  Non- Obstructive
3. Solid one Piece Damper Shaft:     Steel                       SS
4. Control Enclosure:     Std. C-3 (14 5/8L x 11 1/2H x 7 1/4D)  
 Large C-4 (18 1/2L x 16H x 7 1/4D)  
 Hinged
5. Actuator: Electronic \_\_\_\_\_
6. Optional Ductmate Quick Sleeve Connection:

**NOTE: Allow 3 x D Straight Inlet Conditions**



Laboratory Control Systems Incorporated  
 91 Quinton Road  
 Scott Township, PA 18447  
 Tel: 570.487.2490 Fax: 570.487.2494  
 www.labcontrols.com

Title:  
**AIR FLOW VALVES**

Model Number:  
**AFT-N-OP**

Drawing Number:  
**AFT-N-OP-DS**

Date:                      Rev. A  
**02/05/2020**