

GENERAL DESCRIPTION

THE VS-3-A VELOCITY SENSOR IS A RUGGED, HIGH PERFORMANCE AIR VELOCITY SENSOR. DESIGNED WITH LONG TERM RELIABILITY, HIGH ACCURACY AND FAST RESPONSE TIME, THE VS-3-A IS WELL SUITED FOR USE IN FUME HOOD APPLICATIONS.

OPTIMIZED FLOW GEOMETRY PROVIDES THE HIGHEST ACCURACY POSSIBLE. AERODYNAMIC CROSS SECTION PROVIDES MINIMAL FLOW TURBULENCE. DESIGNED TO MEET DEMANDING LABORATORY ENVIRONMENTS, IT IS WELL SUITED FOR BOTH VELOCITY MONITORING AS WELL AS VARIABLE VOLUME CONSTANT FACE VELOCITY CONTROL APPLICATIONS.

SPECIFICATIONS - GENERAL

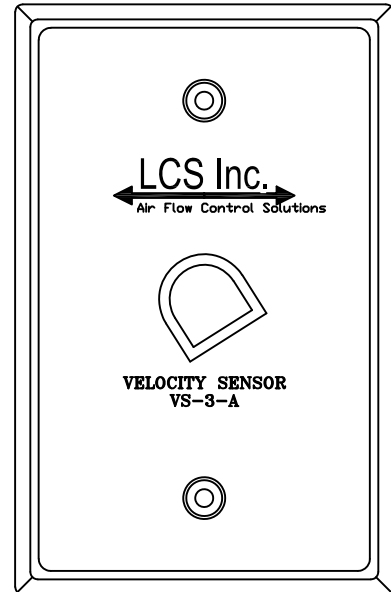
DIMENSIONS: 4.90"H x 3.15"W x 25.5"L
(Length includes 24" tubing)
WEIGHT: 9.0 OUNCES
MOUNTING: FITS IN STANDARD SINGLE GANG CUTOUT

SPECIFICATIONS - ELECTRICAL

EXCITATION: 12-24Vdc @ 10mA dc nominal
ACCURACY: +/- 1% of reading
REPEATABILITY: +/-0.4% full scale
OPERATING TEMP.: 14-140degF (-10-60degC) non-condensing
STORAGE TEMP.: -40-178degF (-40-80degC) non-condensing
OPERATING HUMIDITY: 10-90% non-condensing
STORAGE HUMIDITY: 10-90% non-condensing
OUTPUT: 1-5Vdc, 0-200FPM (0.00-1.00m/S)
RESPONSE: less than 0.05 seconds full scale

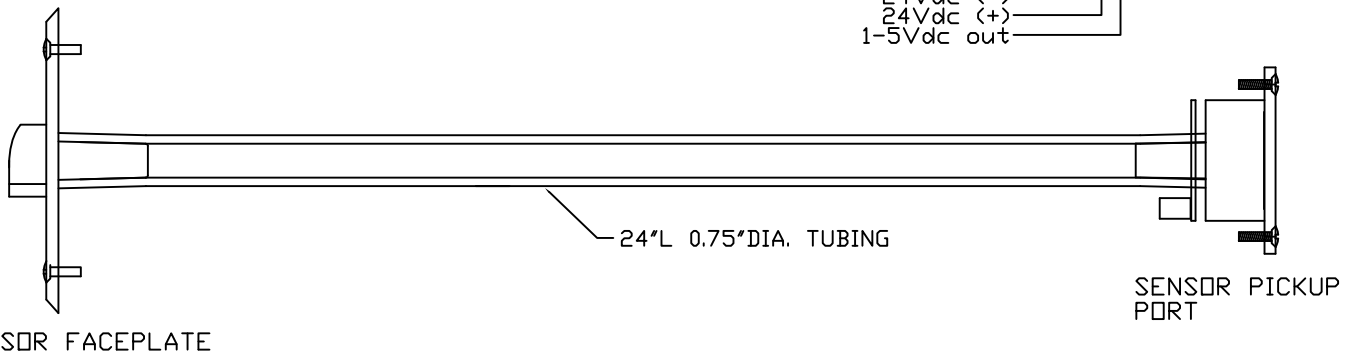
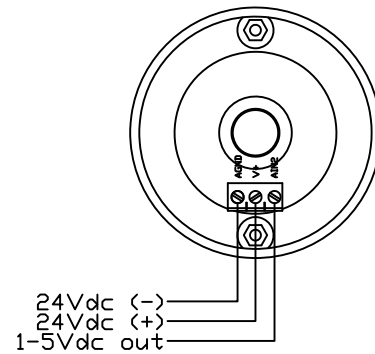
ORDERING INFORMATION

MODEL: VS-3-A



SENSOR FACEPLATE

SENSOR PICKUP PORT ELECTRICAL CONNECTIONS



TITLE	SPECIFICATIONS SHEET: VELOCITY TRANSMITTER, 0-200 FPM	PREPARED	MHQ
DWG NO.	VS-3-A Rev.	CHECKED	MHQ
DATE	2/4/2020	APPROVED	